



GAS COMPONENTS



ELECTRIC COMPONENTS



WATER TECHNOLOGY



MECHANICAL COMPONENTS



TOOLS

Spare parts suitable for

SNACK EXPRESS

Find the complete and up-to-date range of products in our GEV Webshop



Manufacturer catalogue

The most important spare parts and accessories arranged clearly for every manufacturer

- ✓ Complete product range and all appliance data always up to date in the GEV Webshop
- ✓ Alphabetical Index at the end of the catalogue

GEV Webshop

www.gev-online.co.uk

www.gev-online.com



- 🔍 Add to Favourites
- 🔍 Sign In with email address and usual password
- 🔍 Easy-order – place several items in your basket at the same time
- 🔍 Quick Item search – no login needed



heating elements

heating elements for bain maries

| | | | |
|--------------------|---|-----------------|--------------|
| 1 | | | |
| GEV No. | 416887 | Ref. No. | SNACKRESIS01 |
| description | heating element 1350W 230V heating circuits 1 L 385mm W 225mm connection male faston 6.3mm connection distance 110mm tube ø 8.5mm dry heating element W1 50mm W2 125mm H 22mm | | |

| | | | |
|--------------------|---|-----------------|------------------------|
| 1 | | | |
| GEV No. | 416884 | Ref. No. | VETRRES02 VETRRES03 |
| description | heating element 700W 230V heating circuits 1 L 500mm W 270mm connection male faston 6.3mm connection distance 257mm connection length 20mm tube ø 6.3mm dry heating element | | |

heating elements for fryers

2 hole fixing

| | | | |
|--------------------|--|-----------------|------|
| 1 | | | |
| GEV No. | 416891 | Ref. No. | 3108 |
| description | heating element 3000W 230V heating circuits 1 L 362mm W 65mm H 240mm L1 57mm L2 305mm H1 192mm H2 48mm thread 1/4" tube ø 8.5mm 2 hole fixing connection M5 fryer heaters windings 4 | | |

| | | | |
|------------------------|----------------|--|-------------------|
| spare parts for | 416891 | | |
| | GEV No. | 510417 | Ref. No. — |
| | | flat gasket fibre ED ø 20mm ID ø 14mm thickness 2mm Qty 1 pcs | |
| accessories for | 416891 | | |
| | GEV No. | 501318 | Ref. No. — |
| | | nut thread 1/4" H 6.5mm SS WS 22 Qty 1 pcs | |
| | GEV No. | 503045 | Ref. No. — |
| | | nut thread 1/4" H 4.5mm brass WS 17 Qty 1 pcs | |
| | GEV No. | 560112 | Ref. No. — |
| | | plain washer ID ø 5.3mm ED ø 10mm thickness 1mm SS Qty 20 pcs DIN 125A for thread M5 | |
| | GEV No. | 560132 | Ref. No. — |
| | | hexagonal nut thread M5 H 4mm WS 8 SS DIN/ISO DIN 934 / ISO 4032/8673 Qty 20 pcs | |

| | | | |
|--------------------|---|-----------------|-------|
| 1 | | | |
| GEV No. | 416892 | Ref. No. | 3108A |
| description | heating element 4000W 230V heating circuits 1 L 347mm W 85mm H 235mm L1 47mm L2 300mm H1 195mm H2 40mm thread 1/4" mounting distance 77mm tube ø 8.5mm 2 hole fixing connection M5 fryer heaters windings 4 | | |



| | | | |
|------------------------|----------------|--|-------------------|
| accessories for | 416892 | | |
| | GEV No. | 361182 | Ref. No. — |
| | | nut thread 1/4" H 5mm nickel-plated brass WS 17 Qty 1 pcs | |
| | GEV No. | 510417 | Ref. No. — |
| | | flat gasket fibre ED ø 20mm ID ø 14mm thickness 2mm Qty 1 pcs | |
| | GEV No. | 520228 | Ref. No. — |
| | | tooth lock washer ID ø 15.3mm ED ø 24mm steel Qty 1 pcs for thread M14 | |
| | GEV No. | 550262 | Ref. No. — |
| | | flat gasket copper ED ø 20mm ID ø 14mm thickness 2mm | |
| | GEV No. | 560112 | Ref. No. — |
| | | plain washer ID ø 5.3mm ED ø 10mm thickness 1mm SS Qty 20 pcs DIN 125A for thread M5 | |
| | GEV No. | 560132 | Ref. No. — |
| | | hexagonal nut thread M5 H 4mm WS 8 SS DIN/ISO DIN 934 / ISO 4032/8673 Qty 20 pcs | |

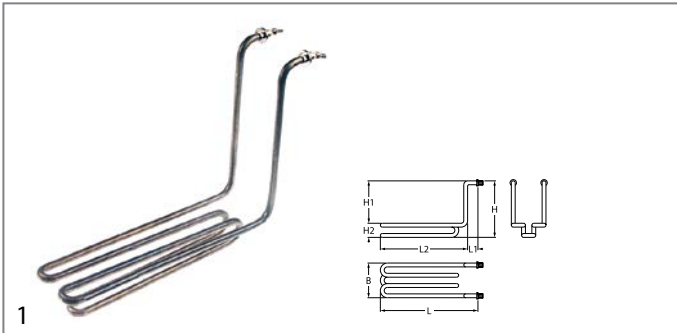
| | | | |
|--------------------|--|-----------------|------|
| 1 | | | |
| GEV No. | 416890 | Ref. No. | 3111 |
| description | heating element 1670W 230V heating circuits 1 L 360mm W 85mm H 233mm L1 60mm L2 300mm H1 200mm H2 48mm thread 1/4" mounting distance 77mm tube ø 8.5mm 2 hole fixing connection M5 connection length 25mm fryer heaters windings 3 | | |

| | | | |
|------------------------|----------------|--|-------------------|
| accessories for | 416890 | | |
| | GEV No. | 361182 | Ref. No. — |
| | | nut thread 1/4" H 5mm nickel-plated brass WS 17 Qty 1 pcs | |
| | GEV No. | 510417 | Ref. No. — |
| | | flat gasket fibre ED ø 20mm ID ø 14mm thickness 2mm Qty 1 pcs | |
| | GEV No. | 520228 | Ref. No. — |
| | | tooth lock washer ID ø 15.3mm ED ø 24mm steel Qty 1 pcs for thread M14 | |
| | GEV No. | 550262 | Ref. No. — |
| | | flat gasket copper ED ø 20mm ID ø 14mm thickness 2mm | |







Table continues overleaf

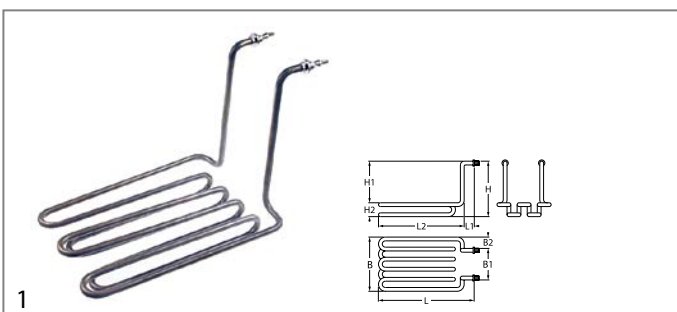


| | | | |
|--|---------|--------|------------|
| accessories for 416890 | | | |
|  | GEV No. | 560112 | Ref. No. — |
| plain washer ID ϕ 5.3mm ED ϕ 10mm thickness 1mm SS Qty 20 pcs DIN 125A for thread M5 | | | |
|  | GEV No. | 560132 | Ref. No. — |
| hexagonal nut thread M5 H 4mm WS 8 SS DIN/ISO DIN 934 / ISO 4032/8673 Qty 20 pcs | | | |





| | | | |
|--------------------|--|-----------------|------|
| GEV No. | 416889 | Ref. No. | 3966 |
| description | heating element 2000W 230V heating circuits 1 L 310mm W 73mm H 225mm L1 40mm L2 270mm H1 190mm H2 36mm thread 1/4" mounting distance 65mm tube ϕ 8.5mm 2 hole fixing connection M5 fryer heaters windings 3 | | |

| | | | |
|--|---------|--------|------------|
| accessories for 416889 | | | |
|  | GEV No. | 361182 | Ref. No. — |
| nut thread 1/4" H 5mm nickel-plated brass WS 17 Qty 1 pcs | | | |
|  | GEV No. | 510417 | Ref. No. — |
| flat gasket fibre ED ϕ 20mm ID ϕ 14mm thickness 2mm Qty 1 pcs | | | |
|  | GEV No. | 520228 | Ref. No. — |
| tooth lock washer ID ϕ 15.3mm ED ϕ 24mm steel Qty 1 pcs for thread M14 | | | |
|  | GEV No. | 550262 | Ref. No. — |
| flat gasket copper ED ϕ 20mm ID ϕ 14mm thickness 2mm | | | |
|  | GEV No. | 560112 | Ref. No. — |
| plain washer ID ϕ 5.3mm ED ϕ 10mm thickness 1mm SS Qty 20 pcs DIN 125A for thread M5 | | | |
|  | GEV No. | 560132 | Ref. No. — |
| hexagonal nut thread M5 H 4mm WS 8 SS DIN/ISO DIN 934 / ISO 4032/8673 Qty 20 pcs | | | |



| | | | |
|--------------------|---|-----------------|------|
| GEV No. | 416888 | Ref. No. | 3955 |
| description | heating element 3500W 230V heating circuits 2 L 300mm W 115mm H 232mm L1 28mm L2 272mm H1 190mm H2 42mm thread 1/4" tube ϕ 8.5mm 2 hole fixing connection M5 immersion heater windings 5 W1 70mm W2 45mm | | |

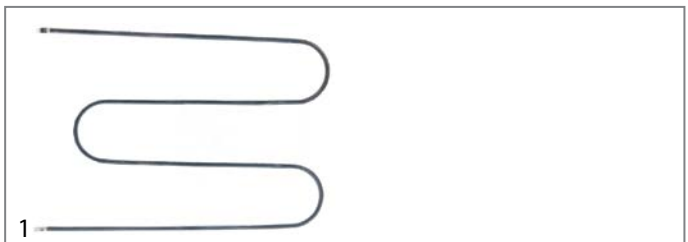
| | | | |
|--|---------|--------|------------|
| accessories for 416888 | | | |
|  | GEV No. | 560112 | Ref. No. — |
| plain washer ID ϕ 5.3mm ED ϕ 10mm thickness 1mm SS Qty 20 pcs DIN 125A for thread M5 | | | |

| | | | |
|---|---------|--------|------------|
| accessories for 416888 | | | |
|  | GEV No. | 560132 | Ref. No. — |
| hexagonal nut thread M5 H 4mm WS 8 SS DIN/ISO DIN 934 / ISO 4032/8673 Qty 20 pcs | | | |

heating elements for hot counters



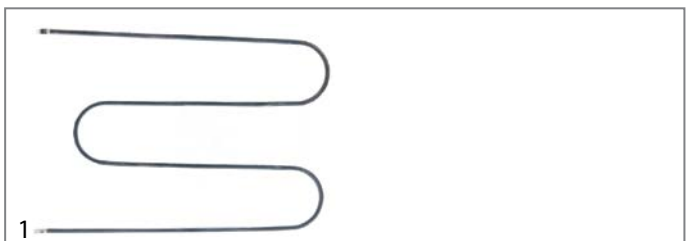
| | | | |
|--------------------|----------------------|-----------------|--------------|
| GEV No. | 416883 | Ref. No. | VETRRESSCB80 |
| description | heating element 230V | | |



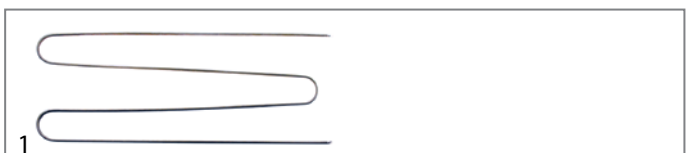
| | | | |
|--------------------|---|-----------------|-----------|
| GEV No. | 416881 | Ref. No. | VETRRES01 |
| description | heating element 400W 230V heating circuits 1 L 400mm W 280mm tube ϕ 6.3mm connection male faston 6.3mm dry heating element for vitrine | | |




| | | | |
|--------------------|---|-----------------|-----------|
| GEV No. | 416882 | Ref. No. | VETRRES02 |
| description | heating element 500W 230V heating circuits 1 L 500mm W 275mm connection distance 268mm tube ϕ 6.3mm connection male faston 6.3mm dry heating element for vitrine | | |



| | | | |
|--------------------|---|-----------------|-----------|
| GEV No. | 419010 | Ref. No. | VETRRES01 |
| description | heating element 600W 230V heating circuits 1 L 400mm W 280mm tube ϕ 6.3mm connection male faston 6.3mm dry heating element for vitrine | | |




| | | | |
|--------------------|---|-----------------|-----------|
| GEV No. | 418791 | Ref. No. | VETRRES03 |
| description | heating element 900W 230V heating circuits 1 L 615mm W 265mm tube ϕ 6.3mm connection male faston 6.3mm dry heating element | | |





| | | | |
|--------------------|---|-----------------|-----------|
| GEV No. | 416885 | Ref. No. | VETRRES04 |
| description | heating element 900W 230V heating circuits 1 L 870mm W 345mm connection distance 339mm connection length 20mm tube ø 6.3mm connection male faston 6.3mm dry heating element | | |


heating elements for contact grills




| | | | |
|--------------------|---|-----------------|------------|
| GEV No. | 416877 | Ref. No. | GRILLRES02 |
| description | heating element 1000W 230V L 180mm W 192mm H 18mm L1 5mm L2 175mm W1 53mm W2 86mm tube ø 8.5mm mounting pos. upper connection M5 windings 3 dry heating element | | |



| | | | |
|--------------------|---|-----------------|------------|
| GEV No. | 416879 | Ref. No. | GRILLRES03 |
| description | heating element 1200W 230V L 177mm W 257mm H 18mm L1 8mm L2 160mm W1 73mm W2 111mm tube ø 8.5mm connection length 24mm mounting pos. upper connection M4 windings 4 dry heating element | | |




| | | | |
|--------------------|---|-----------------|------------|
| GEV No. | 416878 | Ref. No. | GRILLRES01 |
| description | heating element 1400W 230V L 198mm W 220mm H 46mm W1 60mm W2 100mm tube ø 8.5mm connection M5 connection length 24mm mounting pos. lower dry heating element windings 4 | | |




| | | | |
|--------------------|---|-----------------|------------|
| GEV No. | 416880 | Ref. No. | GRILLRES04 |
| description | heating element 1700W 230V L 198mm W 278mm H 40mm W1 60mm W2 168mm tube ø 8.5mm connection M4 connection length 23mm mounting pos. lower dry heating element windings 5 | | |

heating elements for salamanders/toast-




| | | | |
|--------------------|--|-----------------|------------|
| GEV No. | 416874 | Ref. No. | TOSTRESCOR |
| description | heating element 450W 115V L 344mm thread M12x1 connection length 23mm tube ø 8.5mm connection male faston 6.3mm heating circuits 1 dry heating element toaster W 8.5mm H 8.5mm | | |


quartz heating elements




| | | | |
|--------------------|---|-----------------|-----------|
| GEV No. | 416187 | Ref. No. | TOSTRES01 |
| description | quartz heating element 400W 115V L 260mm ø 12mm connection male faston 6.3mm mounting distance 24.8mm | | |



| | | | |
|--------------------|--|-----------------|-----------|
| GEV No. | 418625 | Ref. No. | TOSTRES02 |
| description | quartz heating element 500W 115V L 365mm ø 10mm connection male faston 6.3mm | | |



| | | | |
|--------------------|---|-----------------|-----------|
| GEV No. | 416873 | Ref. No. | TOSTRES04 |
| description | quartz heating element 500W 75V L 510mm ø 12mm connection male faston 6.3mm mounting distance 495mm 110hm | | |



| | | | |
|--------------------|--|-----------------|-----------|
| GEV No. | 416871 | Ref. No. | TOSTRES01 |
| description | quartz heating element 800W 230V L 285mm | | |



hot plates

round

with radiused edge

for domestic and commercial kitchens



1

| | | | |
|--------------------|--|-----------------|------------|
| GEV No. | 490129 | Ref. No. | SNACKPIAS1 |
| description | hot plate ø 180mm 1500W 230V connection 4 screw clamps with 8mm spill ring | | |



1

| | | | |
|--------------------|--|-----------------|------------|
| GEV No. | 490130 | Ref. No. | SNACKPIAS2 |
| description | hot plate ø 220mm 2000W 230V connection 4 screw clamps with 8mm spill ring | | |

thermostats

bi-metal thermostats

bi-metal thermostats



1

| | | | |
|--------------------|--|-----------------|--------------|
| GEV No. | 390323 | Ref. No. | VETRTERMSICU |
| description | bi-metal thermostat hole distancemm switch-off temp. 145°C 1NC 1-pole 16A connection F6.3 M4 | | |

control and safety thermostats

EGO

control thermostats

55.10/19_ series



1

| | | | |
|--------------------|---|-----------------|------|
| GEV No. | 375777 | Ref. No. | 3064 |
| description | thermostat t.max. 180°C temperature range 70-180°C 1-pole 1NO 16A probe ø 6mm probe L 87mm capillary pipe 600mm capillary pipe isolated 350mm gland nut shaft ø 6x4.6mm shaft L 23mm shaft position upper rotation 270° | | |

E·G·O



1

| | | | |
|--------------------|--|-----------------|-------------|
| GEV No. | 375002 | Ref. No. | GRILLTERMOS |
| description | thermostat t.max. 320°C temperature range 55-320°C 1-pole 1NO 16A probe ø 3.1mm probe L 226mm capillary pipe 870mm capillary pipe isolated 850mm gland nut shaft L 23mm shaft position upper rotation 270° | | |

safety thermostats

55.32_ series

E·G·O



1

| | | | |
|--------------------|--|-----------------|---------|
| GEV No. | 375724 | Ref. No. | 03299/A |
| description | safety thermostat switch-off temp. 246°C 3-pole 20A probe ø 6mm probe L 79mm capillary pipe 1300mm capillary pipe isolated 1100mm gland nut probe SS | | |


IMIT / TEMPOMATIC / ARTERMO

control thermostats



1

| | | | |
|--------------------|---|-----------------|------------|
| GEV No. | 375620 | Ref. No. | VETRTER120 |
| description | thermostat t.max. 120°C temperature range 30-120°C 1-pole 1CO 15A probe ø 6.5mm probe L 95mm capillary pipe 1000mm capillary pipe isolated 1000mm gland nut shaft ø 6x4.6mm shaft L 19mm shaft position upper rotation 270° | | |

1


| | | | |
|--------------------|--|-----------------|------|
| GEV No. | 375543 | Ref. No. | 3064 |
| description | thermostat t.max. 190°C 1-pole gland nut shaft ø 6x4.6mm | | |

safety thermostats



1


| | | | |
|--------------------|---|-----------------|------|
| GEV No. | 375542 | Ref. No. | 9004 |
| description | safety thermostat LS1 8174 switch-off temp. 238°C 1-pole 15A probe ø 5mm probe L 100mm capillary pipe 550mm capillary pipe isolated-mm gland nut probe SS | | |



1

| | | | |
|--------------------|---|-----------------|------|
| GEV No. | 375509 | Ref. No. | 9004 |
| description | thermostat switch-off temp. 230°C 1-pole 1NC 16A probe ø 6mm probe L 62mm capillary pipe 450mm capillary pipe isolated 40mm gland nut probe screw connection M10x1 connection male faston 6.3mm | | |


CAMPINI safety thermostats



1

| | | | |
|--------------------|---|-----------------|------|
| GEV No. | 375915 | Ref. No. | 9004 |
| description | safety thermostat switch-off temp. 232°C 1-pole 1NC 16A probe ø 5mm probe L 68mm capillary pipe 960mm capillary pipe isolated 70mm screw connection M10 | | |

various control thermostats




1

| | | | |
|--------------------|--|-----------------|------|
| GEV No. | 375820 | Ref. No. | 3064 |
| description | thermostat t.max. 190°C temperature range 0-190°C 1-pole 1CO 16A probe ø 4.5mm probe L 130mm capillary pipe 550mm shaft ø 6x4.6mm shaft L 19mm shaft position upper rotation 270° 250V | | |


switches and momentary switches

rocker/momentary rocker switches

30x22mm




1

| | | | | |
|--|---|-----------------|-----------------|---|
| GEV No. | 301003 | Ref. No. | TOSTINTER | |
| description | rocker switch mounting measurements 30x22mm green 2NO 250V 16A illuminated 0-I connection male faston 6.3mm ambient temperature max. 125/55°C protection IP65 | | | |
| accessories for | 301003 | | | |
|  | GEV No. | 301036 | Ref. No. | — |
| | protective cover internal size 30x22mm for rocker switch mounting measurementsmm | | | |


microswitches

lever actuated



1

| | | | |
|--------------------|---|-----------------|---------|
| GEV No. | 345255 | Ref. No. | 03041/A |
| description | microswitch with lever 250V 16A 1CO connection male faston 6.3mm L 35mm L1 28mm ambient temperature max. 125°C mounting distance 22mm actuating force: 136g lever length 27mm | | |



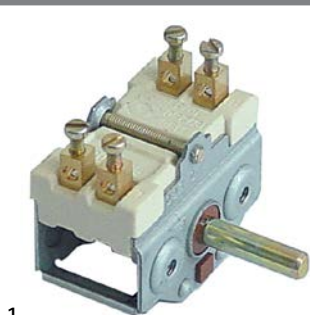
1

| | | | |
|--------------------|--|-----------------|---------|
| GEV No. | 347684 | Ref. No. | 03041/B |
| description | microswitch with lever 250V 16A 2NO connection male faston 6.3mm L 36mm ambient temperature max. 125°C mounting distance 22.2mm type VRSR01AA1 actuating force: 145g | | |



cam switches

on/off



1

| | | | |
|----------------|--------|-----------------|---------|
| GEV No. | 300151 | Ref. No. | 03227/B |
|----------------|--------|-----------------|---------|

| | | | |
|--------------------|---|--|--|
| description | cam switch 2 operating positions 2NO sequence 0-1 16A shaft \varnothing 6x4.6mm shaft L 23mm connection screw ceramic | | |
|--------------------|---|--|--|

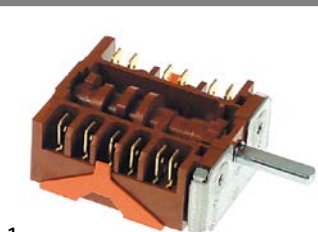


1

| | | | |
|----------------|--------|-----------------|---------|
| GEV No. | 300176 | Ref. No. | 03227/A |
|----------------|--------|-----------------|---------|

| | | | |
|--------------------|---|--|--|
| description | cam switch 2 operating positions 4NO sequence 0-1 16A shaft \varnothing 6x4.6mm shaft L 23mm connection screw | | |
|--------------------|---|--|--|

7-position



1

| | | | |
|----------------|--------|-----------------|-------------|
| GEV No. | 300177 | Ref. No. | SNACKCOMMUT |
|----------------|--------|-----------------|-------------|

| | | | |
|--------------------|--|--|--|
| description | cam switch 7 operating positions 6NO sequence 0-1-2-3-4-5-6 16A shaft \varnothing 6x4.6mm shaft L 23mm connection male faston 6.3mm 7-position | | |
|--------------------|--|--|--|

lamps

indicator lights

indicator lights 2-piece (lens and indicator lamp)

indicator light lenses

 \varnothing 10mm (type SR-3)

1

| | | | |
|----------------|--------|-----------------|------|
| GEV No. | 359815 | Ref. No. | 3066 |
|----------------|--------|-----------------|------|

| | | | |
|--------------------|---|--|--|
| description | indicator light housings mounting measurements \varnothing 10mm clear Qty 1 pcs | | |
|--------------------|---|--|--|



1

| | | | |
|----------------|--------|-----------------|------|
| GEV No. | 359816 | Ref. No. | 3067 |
|----------------|--------|-----------------|------|

| | | | |
|--------------------|---|--|--|
| description | indicator light housings mounting measurements \varnothing 10mm green Qty 1 pcs | | |
|--------------------|---|--|--|

indicator lamps for socket type SA / SC / SD / SF / SR



1

| | | | |
|----------------|--------|-----------------|------|
| GEV No. | 359814 | Ref. No. | 3676 |
|----------------|--------|-----------------|------|

| | | | |
|--------------------|--|--|--|
| description | indicator lamp 230V clear connection cable 400mm cable material silicone Qty 1 pcs | | |
|--------------------|--|--|--|

indicator lights (complete)

 \varnothing 10mm

with plug-in socket



1

| | | | |
|----------------|--------|-----------------|-----------|
| GEV No. | 359374 | Ref. No. | TOSTGEMMA |
|----------------|--------|-----------------|-----------|

| | | | |
|--------------------|---|--|--|
| description | indicator light \varnothing 10mm 230V green | | |
|--------------------|---|--|--|

 \varnothing 13mm

with plug-in socket



1

| | | | |
|----------------|--------|-----------------|------------|
| GEV No. | 359142 | Ref. No. | GRILLAMPAD |
|----------------|--------|-----------------|------------|

| | | | |
|--------------------|--|--|--|
| description | indicator light \varnothing 13mm green 230V connection male faston 6.3mm temp.-resist. 120°C Qty 1 pcs | | |
|--------------------|--|--|--|



1




| | | | |
|----------------|--------|-----------------|--|
| GEV No. | 359143 | Ref. No. | GRILLAMPAD GRILLGEMMA TOSTLAMP VETRIGEMMA |
|----------------|--------|-----------------|--|

| | | | |
|--------------------|---|--|--|
| description | indicator light \varnothing 13mm yellow 230V connection male faston 6.3mm temp.-resist. 120°C Qty 1 pcs | | |
|--------------------|---|--|--|




timers

mechanical timers

| | | | |
|--|---|-----------------|------------------------------|
|  <p>1</p> | | | |
| GEV No. | 350032 | Ref. No. | Tosttimer |
| description | timer M2 2-pole operation time 15min impulse mechanical 2NO at 250V 16A permanent position no shaft ø 6x4.6mm shaft L 18mm mounting distance 28mm connection rear | | |
| accessories for | 350032 | | |
|  | GEV No. | 110366 | Ref. No. Tosttimerman |
| | knob switch zero mark t.max.°C ø 44mm shaft ø 6x4.6mm shaft flat upper black | | |
|  | GEV No. | 110371 | Ref. No. — |
| | dial plate graduation 15min permanent position no rotation 30-330° ø 60mm timers knob ø 45mm | | |

spare parts and accessories

knobs

| | | | |
|---|--|-----------------|--------------|
|  <p>1</p> | | | |
| GEV No. | 110366 | Ref. No. | Tosttimerman |
| description | knob switch zero mark t.max.°C ø 44mm shaft ø 6x4.6mm shaft flat upper black | | |

contactors










GENERAL ELECTRIC (AEG)

power contactors

| | | | |
|--|--|-----------------|-------------------|
|  <p>1</p> | | | |
| GEV No. | 380238 | Ref. No. | 9023 SALAMANDCONT |
| description | power contactor resistive load 20A 230VAC (AC3/400V) 8.4A/4kW main contacts 3NO auxiliary contacts 1NO connection screw connection type LS0510A type AEG LS0510A type GE MC1A 310A | | |

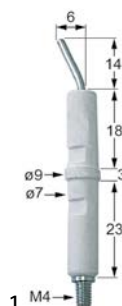
ignition parts

pilot burners

| | | | |
|--|--|-----------------|-------------------|
| SIT | | | |
| 100 series | | | |
|  <p>1</p> | | | |
| GEV No. | 107139 | Ref. No. | 03139 |
| description | pilot burner SIT type 100 series 1 flame nozzle ø 0.2mm gas connectionmm | | |
| spare parts for | 107139 | | |
|  | GEV No. | 100854 | Ref. No. — |
| | pilot burner bracket double | | |
|  | GEV No. | 100885 | Ref. No. — |
| | air mixing sleeve for pilot burner Qty 1 pcs | | |
|  | GEV No. | 107160 | Ref. No. — |
| | pilot burner cap SIT 1 flame Hmm Lmm Qty 1 pcs | | |
| accessories for | 107139 | | |
|  | GEV No. | 100904 | Ref. No. — |
| | locking screw M10x1 for pipe ø 4mm Qty 1 pcs | | |
|  | GEV No. | 100905 | Ref. No. — |
| | locking screw M10x1 for pipe ø 6mm Qty 1 pcs | | |
|  | GEV No. | 100998 | Ref. No. — |
| | pilot burner bottom part nozzle ø 0.21mm suitable for 100 series | | |
|  | GEV No. | 102110 | Ref. No. — |
| | pilot tube copper pipe ø 4mm thickness 1mm L 3000mm | | |
|  | GEV No. | 102111 | Ref. No. — |
| | pilot tube copper pipe ø 6mm thickness 1mm L 3000mm | | |

accessories

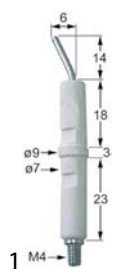
ignition electrodes



| | | | |
|----------------|--------|-----------------|------|
| GEV No. | 100706 | Ref. No. | 3152 |
|----------------|--------|-----------------|------|

| | | | |
|--------------------|--|--|--|
| description | ignition electrode connection M4 Qty 1 pcs | | |
|--------------------|--|--|--|

electrodes



| | | | |
|----------------|--------|-----------------|------|
| GEV No. | 100706 | Ref. No. | 3152 |
|----------------|--------|-----------------|------|

| | | | |
|--------------------|--|--|--|
| description | ignition electrode connection M4 Qty 1 pcs | | |
|--------------------|--|--|--|

gas nozzles

main nozzles

gas nozzles M12x1



| | | | |
|----------------|--------|-----------------|------------|
| GEV No. | 106568 | Ref. No. | FRIGUGELLI |
|----------------|--------|-----------------|------------|

| | | | |
|--------------------|---|--|--|
| description | gas injector thread M12x1 WS 13 bore ø 1.25mm | | |
|--------------------|---|--|--|

equipment-specific units

for toasters

pliers

pliers



1

| | | | |
|----------------|--------|-----------------|-----------|
| GEV No. | 690010 | Ref. No. | TOSTPINZA |
|----------------|--------|-----------------|-----------|

| | | | |
|--------------------|--|--|--|
| description | plier for toaster H 180mm total length 100mm | | |
|--------------------|--|--|--|

handles and hand wheels

handle bars

handle bars



1

| | | | |
|----------------|--------|-----------------|--------------|
| GEV No. | 693200 | Ref. No. | GRILLIMPEGNO |
|----------------|--------|-----------------|--------------|

| | | | |
|--------------------|------------|--|--|
| description | handle rod | | |
|--------------------|------------|--|--|

bracket handles



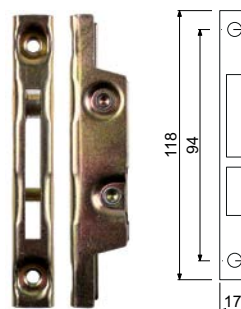
1

| | | | |
|----------------|--------|-----------------|------|
| GEV No. | 693440 | Ref. No. | 3063 |
|----------------|--------|-----------------|------|

| | | | |
|--------------------|--|--|--|
| description | pull handle mounting distance 88mm for fryer | | |
|--------------------|--|--|--|

hinges

oven hinges






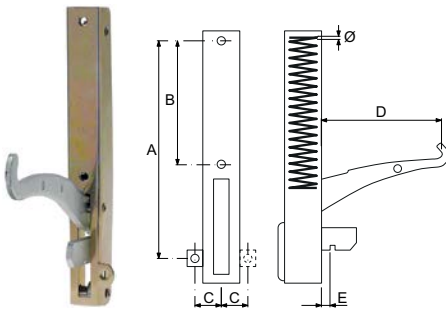


1

| | | | |
|----------------|--------|-----------------|--------|
| GEV No. | 700001 | Ref. No. | 03808c |
|----------------|--------|-----------------|--------|

| | | | |
|--------------------|--|--|--|
| description | opposite support L 118mm W 17mm mounting distance 94mm | | |
|--------------------|--|--|--|



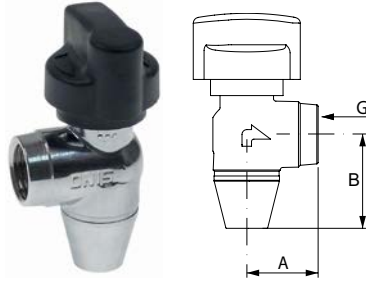
| | | | |
|--|--|-----------------|------------------------|
|  <p>1</p> | | | |
| GEV No. | 700006 | Ref. No. | 03478D |
| description | oven hinge mounting distance 173mm mounting distance 2 105mm lug mounting 14mm lever length 120mm groove distance 11mm spring thickness 3.5mm mounting ear position left spring length 112mm W 25mm | | |
| accessories for | 700006 | | |
|  | GEV No. | 700001 | Ref. No. 03808c |
| | opposite support L 118mm W 17mm mounting distance 94mm | | |
|  | GEV No. | 700007 | Ref. No. 03478s |
| | oven hinge mounting distance 173mm mounting distance 2 105mm lug mounting 14mm lever length 120mm groove distance 11mm spring thickness 3.5mm mounting ear position right spring length 112mm W 25mm | | |

| | | | |
|---|--|-----------------|------------------------|
|  <p>1</p> | | | |
| GEV No. | 700007 | Ref. No. | 03478s |
| description | oven hinge mounting distance 173mm mounting distance 2 105mm lug mounting 14mm lever length 120mm groove distance 11mm spring thickness 3.5mm mounting ear position right spring length 112mm W 25mm | | |
| accessories for | 700007 | | |
|  | GEV No. | 700001 | Ref. No. 03808c |
| | opposite support L 118mm W 17mm mounting distance 94mm | | |
|  | GEV No. | 700006 | Ref. No. 03478D |
| | oven hinge mounting distance 173mm mounting distance 2 105mm lug mounting 14mm lever length 120mm groove distance 11mm spring thickness 3.5mm mounting ear position left spring length 112mm W 25mm | | |

fittings for catering equipment

outlet taps

universal

| | | | |
|---|--|-----------------|--------------|
|  <p>1</p> | | | |
| GEV No. | 540747 | Ref. No. | FRIGRUBINFR8 |
| description | outlet tap chrome-plated brass angled W 30mm H 40mm thread 1/2" IT | | |

springs

torsion springs


| | | | |
|---|---|-----------------|------------|
|  <p>1</p> | | | |
| GEV No. | 693199 | Ref. No. | GRILLMOLLA |
| description | torsion spring ϕ 21mm L1 38mm L2 118mm L3 38mm wire gauge ϕ 3.8mm | | |

valves and tank inlets

ball valves

universal

ball valves with lever handle

| | | | |
|---|--|-----------------|------|
|  <p>1</p> | | | |
| GEV No. | 540910 | Ref. No. | 3118 |
| description | ball valve connection 3/4" IT - hose ϕ 19mm total length 110mm with lever handle handle length 95mm | | |

B

| | |
|----------------------|------|
| ball valves | 11 |
| bi-metal thermostats | 6, 6 |

C

| | |
|---------------------|------|
| cam switches | 8 |
| contactors | 9 |
| control thermostats | 6, 6 |

G

| | |
|-------------|----|
| gas nozzles | 10 |
|-------------|----|

H

| | |
|---|---|
| heating elements | 3 |
| heating elements for bain maries | 3 |
| heating elements for contact grills | 5 |
| heating elements for fryers | 3 |
| heating elements for salamanders/toasters | 5 |
| hot plates | 6 |

I

| | |
|-----------------------------|---|
| indicator lights | 8 |
| indicator lights (complete) | 8 |

L

| | |
|-------|---|
| lamps | 8 |
|-------|---|

M

| | |
|-------------------|---|
| mechanical timers | 9 |
| microswitches | 7 |

O

| | |
|-------------|----|
| oven hinges | 10 |
|-------------|----|

P

| | |
|---------------|---|
| pilot burners | 9 |
|---------------|---|

Q

| | |
|-------------------------|---|
| quartz heating elements | 5 |
|-------------------------|---|

R

| | |
|----------------------------------|---|
| rocker/momentary rocker switches | 7 |
|----------------------------------|---|

S

| | |
|---------------------------------|------|
| safety thermostats | 6, 7 |
| switches and momentary switches | 7 |

T

| | |
|-------------|---|
| thermostats | 6 |
| timers | 9 |

V

| | |
|------------------------|----|
| valves and tank inlets | 11 |
|------------------------|----|